

# Series UCFQ-RL

HOUSING AVAILABLE  
IN THESE COLORS



FOR HOUSINGS IN WHITE COLORS JUST  
ADD "-W" TO PART NUMBER  
(example "code 70206VRLA-W")

## TECHNICAL INFORMATION

- Complete sealed units.
- Resistance to corrosion.
- High load capacity.
- Good dimensional stability at the maximum indicated temperature.
- Self-alignment:  
Max.misalignment between shaft and housing: 2.0°.
- Low maintenance and trouble-free operation.
- Easy cleaning.
- Ball bearing pre-lubricated with long-life grease, which is ideal in applications within humid conditions, water, alkaline or acid solutions.
- Concept and design to meet all safety requirements.
- Interchangeability:  
Interchangeable with standard cast iron flanged supports.
- Application in the food, beverage and pharmaceutical industry.
- Maintenance free.



MAINTENANCE  
**FREE**

New line of flange bearings created through new technology which will help equipment builders meet the requirements of the USDA and other government agencies as they relate to the prevention of contamination of food products and the growth of bacteria.



Flange bearing with solid housings  
series UCFQ-RL  
for plain shafts  
dia 1 1/4" - 1 1/2"



see also... Features: page 176

Lubrication/maintenance: 177

Mounting instructions: 178

Calculation of load capacity  
and bearing life: 180

Accessories: 172

Chemical resistance: 188

## COMPONENTS

- 1 Housing in plastic material.
- 2 Adjustable ball bearing, pre-lubricated by means of grease-nipple or a quick coupler.
- 3 Ball-type grease-nipple.
- 4 Clip-on safety cap (closed version).
- 5 Clip-on safety cap (open version).
- 6 Spacers to reinforce bolt holes.
- 7 Rotary shaft seal ring with extra dust-protection lip.
- 8 Heavy duty O-Ring.

## MAX. RADIAL LOAD CAPACITY OF HOUSING

Values indicated in the table above, are obtained at 73°F. Strength of housing indicated on page 180.



## VERSION IN POLYAMIDE (PA) MATERIALS

- Reinforced polyamide housing.
- High quality ball bearing in chrome steel.
- Grease-nipple in nickel plated brass.
- Safety cap in polypropylene.
- Spacers in nickel plated brass.
- Seal and O-Ring in NBR-rubber.

## COLOR

- Bearing support in grey, white or black.
- Safety cap in yellow.
- For sufficient quantities parts can be produced in different colors.



series UCFQ-RL



Plain Shaft



Dia inches

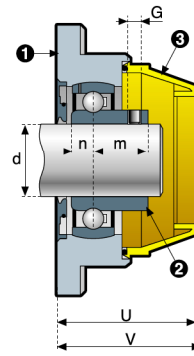
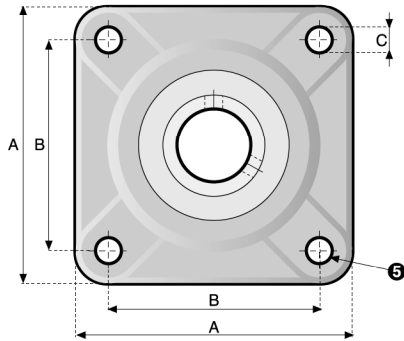


Waterproof

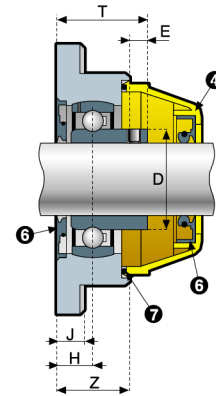


Polyamide

# Series UCFQ-RL



closed version  
with grub screws



open version  
with grub screws

Ø d inch.	code GREY version		dimensions (inches)														bearing load ratings		max. radial load capacity on plastic housing PA (lbf)	weight (lb)		
	closed	open	A	B	C	D	E	G	H	J	Z	T	m	n	U	V	dynamic C (lbf)	static Co (lbf)				
<b>SHAFT LOCKING WITH GRUB SCREWS</b>																						
1 1/4	<b>70206QRLA</b>	<b>75206QRLA</b>	4.25	3.25	0.43	1.57	0.23	1/4 UNF	0.57	0.48	1.14	1.44	0.87	0.35	2.20	2.28	3370	2540	2590	1.10		
1 1/2	<b>70208QRL</b>	<b>75208QRL</b>	5.12	4.00	0.55	2.07	0.31	5/16 UNF	0.71	0.62	1.38	1.89	1.19	0.43	2.28	2.36	5040	4020	2810	1.81		

Ø d inch.	code BLACK version		dimensions (inches)														bearing load ratings		max. radial load capacity on plastic housing PA (lbf)	weight (lb)		
	closed	open	A	B	C	D	E	G	H	J	Z	T	m	n	U	V	dynamic C (lbf)	static Co (lbf)				
<b>SHAFT LOCKING WITH GRUB SCREWS</b>																						
1 1/4	<b>70206VRLA</b>	<b>75206VRLA</b>	4.25	3.25	0.43	1.57	0.23	1/4 UNF	0.57	0.48	1.14	1.44	0.87	0.35	2.20	2.28	3370	2540	2590	1.10		
1 1/2	<b>70208VRL</b>	<b>75208VRL</b>	5.12	4.00	0.55	2.07	0.31	5/16 UNF	0.71	0.62	1.38	1.89	1.19	0.43	2.28	2.36	5040	4020	2810	1.81		

NOTE THAT ANY BEARING ASSEMBLY CAN BE MADE "MAINTENANCE FREE" CONTACT SYSTEM PLAST



Polypropylene

HOUSINGS IN POLYPROPYLENE CAN BE FURNISHED UNDER REQUEST. FOR FURTHER INFORMATION CONTACT OUR ENGINEERING DEPARTMENT.

The dimensions of the housings related to codes printed in bold letters, are unified according to the international standards.

# Series UCF-RL

HOUSING AVAILABLE  
IN THESE COLORS



FOR HOUSINGS IN WHITE COLORS JUST  
ADD "-W" TO PART NUMBER  
(example "code 70206SRL-W")



**Maintenance Free  
Flanged bearing support  
series UCF-RL  
for plain shafts  
dia 1 1/4" - 1 1/2"**



see also... Features: page 176

Lubrication/maintenance: 177

Mounting instructions: 178

Calculation of load capacity  
and bearing life: 180

Accessories: 172

Chemical resistance: 188

## TECHNICAL INFORMATION

- **Complete sealed units.**
- **Resistance to corrosion:**
  - Polyamide version (PA): high resistance to many corrosive chemicals such as water, oils, greases, gasoline, milk, wine, alcoholic beverages.
- **Load capacity:**
  - Polyamide version (PA): high load capacity.
- **Continuous operating temperature:**
  - Polyamide version (PA): from 0°F to +195°F. This version maintains good dimensional stability at the maximum indicated temperature.
- **Maintenance free.**
- **Self-alignment:**
  - Max. misalignment between shaft and housing: 2°.
- **Concept and design to meet all safety requirements.**
- **Interchangeability:**
  - Interchangeable with standard cast iron flanged supports.



**MAINTENANCE  
FREE**

## COMPONENTS

- 1 Housing in plastic material.
- 2 High quality maintenance free ball bearing.
- 3 Clip-on safety cap (closed version).
- 4 Clip-on safety cap (open version).
- 5 Washer UNI 6592.
- 6 Spacers to reinforce bolt holes.
- 7 Rotary shaft seal ring with extra dust-protection lip.
- 8 Heavy duty O-Ring.

## MAX. RADIAL LOAD CAPACITY OF HOUSING

Values indicated in the table above, are obtained at 73°F. Strength of housing indicated on page 180.



## VERSION IN POLYAMIDE (PA) MATERIALS

- Reinforced polyamide housing.
- High quality maintenance free ball bearing in chrome steel.
- Safety cap in polypropylene.
- Washers in stainless steel AISI 304 - DIN 1.4301.
- Spacers in nickel plated brass.
- Seal and O-Ring in NBR-rubber.

## COLOR

- Bearing support in grey, white or black.
- Safety cap in yellow.
- For sufficient quantities parts can be produced in different colors.



series UCF-RL



Plain Shaft



Dia inches

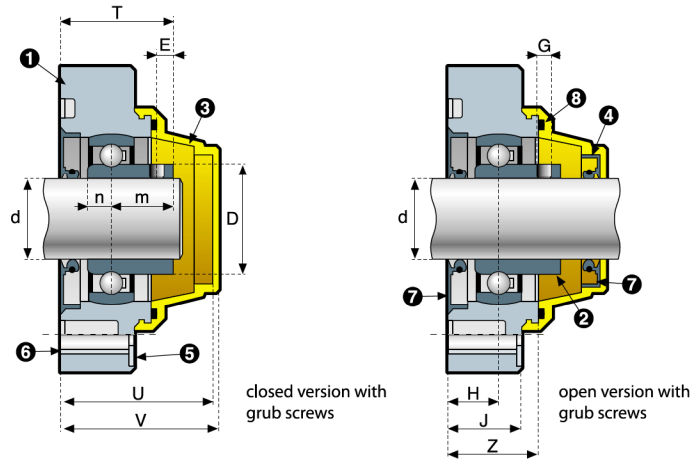
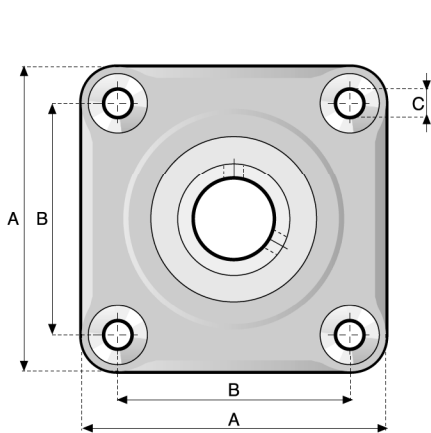


Waterproof



Polyamide

# Series UCF-RL



Ø d inch.	code version		dimensions (inches)														bearing load ratings		max. radial load capacity on plastic housing (lbf)	weight (lb)
	closed	open	A	B	C	D	E	G	H	J	Z	T	m	n	U	V	dynamic C (lbf)	static Co (lbf)		
<b>SHAFT LOCKING WITH GRUB SCREWS</b>																				
1 1/4	70206SRL	75206SRL	4.33	3.03	0.43	1.57	0.23	1/4 UNF	0.91	0.98	1.42	1.78	0.87	0.35	2.68	2.76	3370	2540	2700	1.41
1 1/4	<b>70206RL</b>	<b>75206RL</b>	4.33	3.27	0.43	1.57	0.23	1/4 UNF	0.71	0.98	1.22	1.58	0.87	0.35	2.09	2.17	3370	2540	2920	1.42
1 1/2	70208SRL	75208SRL	4.33	3.03	0.43	2.07	0.31	5/16 UNF	0.75	0.98	1.42	1.93	1.18	0.43	2.68	2.76	5030	4020	2700	2.08
1 1/2	70208RL	75208RL	4.33	3.27	0.43	2.07	0.31	5/16 UNF	0.79	0.98	1.38	1.97	1.18	0.43	2.64	2.72	5030	4020	2800	1.97
1 1/2	70208NL	75208NL	4.65	3.62	0.51	2.07	0.31	5/16 UNF	0.79	0.98	1.38	1.97	1.18	0.43	2.64	2.72	5030	4020	2880	2.20
1 1/2	<b>70208FRL</b>	<b>75208FRL</b>	5.12	4.00	0.51	2.07	0.31	5/16 UNF	0.79	0.98	1.38	1.97	1.18	0.43	2.64	2.72	5030	4020	2920	2.16

NOTE THAT ANY BEARING ASSEMBLY CAN BE MADE "MAINTENANCE FREE" CONTACT SYSTEM PLAST



Polypropylene

HOUSINGS IN POLYPROPYLENE CAN BE FURNISHED UNDER REQUEST. FOR FURTHER INFORMATION CONTACT OUR ENGINEERING DEPARTMENT.

The dimensions of the housings related to codes printed in bold letters, are unified according to the international standards.

# Series UCFH-RL

HOUSING AVAILABLE  
IN THESE COLORS



FOR HOUSINGS IN WHITE COLORS JUST  
ADD "-W" TO PART NUMBER  
(example "code 74206NRLA-W")



**Flange bearing with solid housings  
series UCFH-RL  
for plain shafts  
dia 1 1/4" - 1 1/2"**



see also... Features: page 176

Lubrication/maintenance: 177

Mounting instructions: 178

Calculation of load capacity  
and bearing life: 180

Accessories: 1/2

Chemical resistance: 188

## TECHNICAL INFORMATION

- **Complete sealed units.**
- **Resistance to corrosion.**
- **High load capacity.**
- **Good dimensional stability at the maximum indicated temperature.**
- **Self-alignment:**  
Max.misalignment between shaft and housing: 2.0°.
- **Low maintenance and trouble-free operation.**
- **Easy cleaning.**
- **Ball bearing pre-lubricated with long-life grease, which is ideal in applications within humid conditions, water, alkaline or acid solutions.**
- **Concept and design to meet all safety requirements.**
- **Interchangeability:**  
Interchangeable with standard cast iron flanged supports.
- **Application in the food, beverage and pharmaceutical industry.**
- **Maintenance free.**



**MAINTENANCE  
FREE**

New line of flange bearings created through new technology which will help equipment builders meet the requirements of the USDA and other government agencies as they relate to the prevention of contamination of food products and the growth of bacteria.

## COMPONENTS

- 1 Housing in plastic material.
- 2 Adjustable ball bearing, pre-lubricated by means of grease-nipple or a quick coupler.
- 3 Clip-on safety cap (closed version).
- 4 Clip-on safety cap (open version).
- 5 Spacers to reinforce bolt holes.
- 6 Rotary shaft seal ring with extra dust-protection lip.
- 7 Heavy duty O-Ring.

## MAX. RADIAL LOAD CAPACITY OF HOUSING

Values indicated in the table above, are obtained at 73°F. Strength of housing indicated on page 180.



## VERSION IN POLYAMIDE (PA) MATERIALS

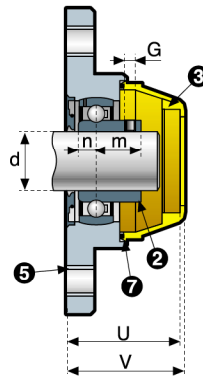
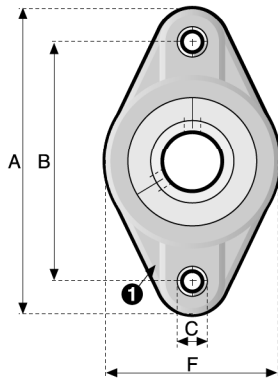
- Reinforced polyamide housing.
- High quality ball bearing in chrome steel.
- Safety cap in polypropylene.
- Spacers in nickel plated brass.
- Seal and O-Ring in NBR-rubber.

## COLOR

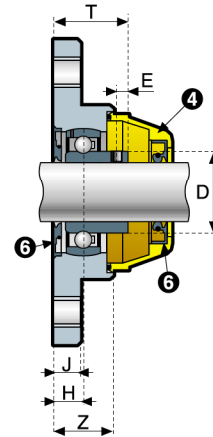
- Bearing support in grey, white or black.
- Safety cap in yellow.
- For sufficient quantities parts can be produced in different colors.



# Series UCFH-RL



closed version  
with grub screws



open version  
with grub screws

Ø d inch.	code GREY version		dimensions (inches)														bearing load ratings		max. radial load capacity on plastic housing PA (lbf)	weight (lb)	
	closed	open	A	B	C	D	E	F	G	H	J	Z	T	m	n	U	V	dynamic C (lbf)			static Co (lbf)
<b>SHAFT LOCKING WITH GRUB SCREWS</b>																					
1 1/4	<b>74206HRLA</b>	<b>79206HRLA</b>	5.83	4.61	0.43	1.57	0.23	3.31	1/4 UNF	0.57	0.49	1.14	1.44	0.87	0.35	2.20	2.28	3370	2540	1980	1.03
1 1/2	<b>74208HRL</b>	<b>79208HRL</b>	6.89	5.67	0.55	2.07	0.31	4.06	5/16 UNF	0.71	0.79	1.38	1.89	1.18	0.43	2.28	2.36	5040	4020	2810	1.81

Ø d inch.	code BLACK version		dimensions (inches)														bearing load ratings		max. radial load capacity on plastic housing PA (lbf)	weight (lb)	
	closed	open	A	B	C	D	E	F	G	H	J	Z	T	m	n	U	V	dynamic C (lbf)			static Co (lbf)
<b>SHAFT LOCKING WITH GRUB SCREWS</b>																					
1 1/4	<b>74206NRLA</b>	<b>79206NRLA</b>	5.83	4.61	0.43	1.57	0.23	3.31	1/4 UNF	0.57	0.49	1.14	1.44	0.87	0.35	2.20	2.28	3370	2540	1980	1.03
1 1/2	<b>74208NRL</b>	<b>79208NRL</b>	6.89	5.67	0.55	2.07	0.31	4.06	5/16 UNF	0.71	0.79	1.38	1.89	1.18	0.43	2.28	2.36	5040	4020	2810	1.81

NOTE THAT ANY BEARING ASSEMBLY CAN BE MADE "MAINTENANCE FREE" CONTACT SYSTEM PLAST



Polypropylene

HOUSINGS IN POLYPROPYLENE CAN BE FURNISHED UNDER REQUEST. FOR FURTHER INFORMATION CONTACT OUR ENGINEERING DEPARTMENT.

The dimensions of the housings related to codes printed in bold letters, are unified according to the international standards.